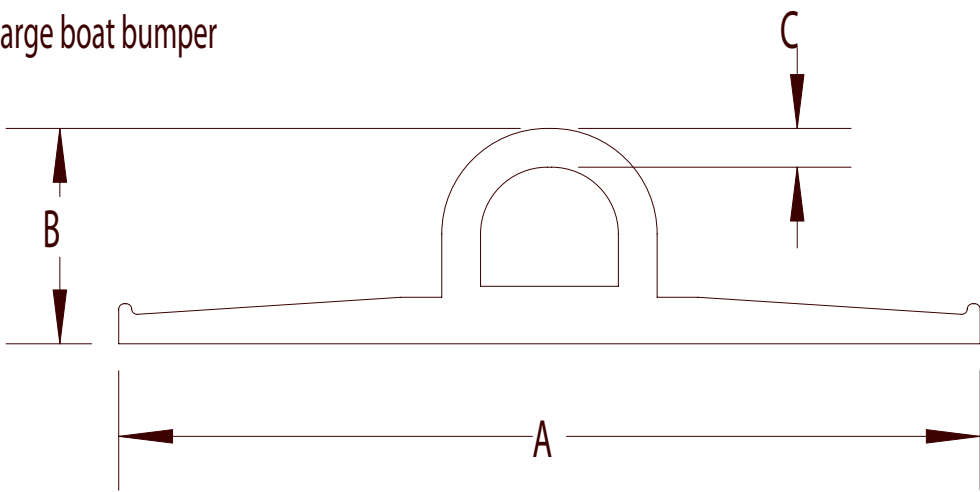


Large boat bumper

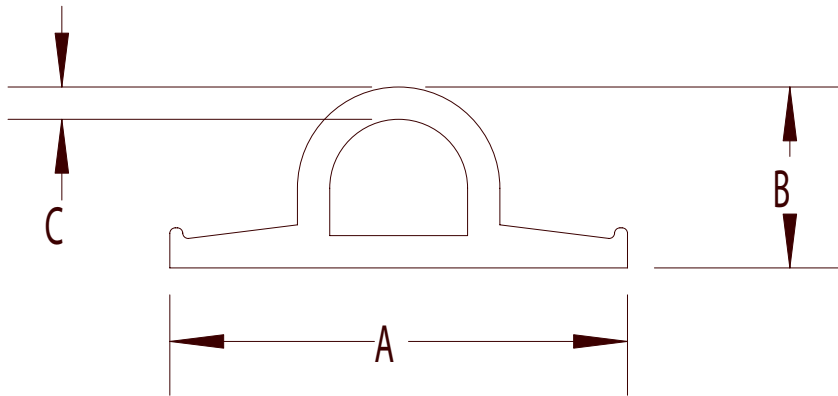


DIE NUMBER

E-1093

A	4.000"
B	1.000"
C	0.180"

Small boat bumper

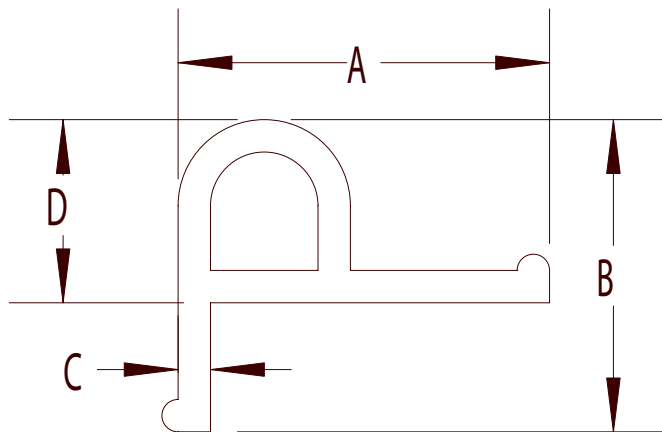


DIE NUMBER

2623

A	2.125
B	0.840"
C	0.150"

Edge guard "P" style

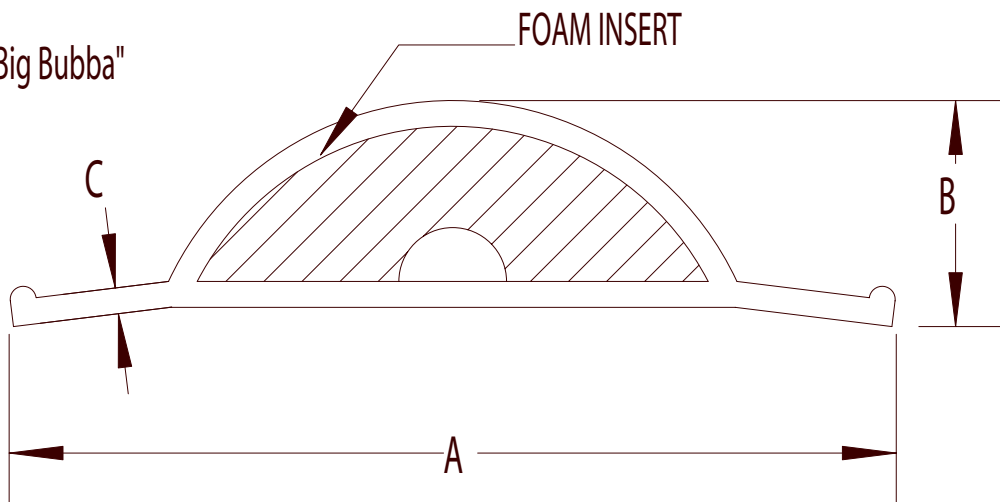


DIE NUMBER

E-1040

A	2.250"
B	1.810"
C	0.180"
D	1.060"

"Big Bubba"



DIE NUMBER

E-1065

A	6.500" ref
B	1.840" ref
C	0.195" ref